



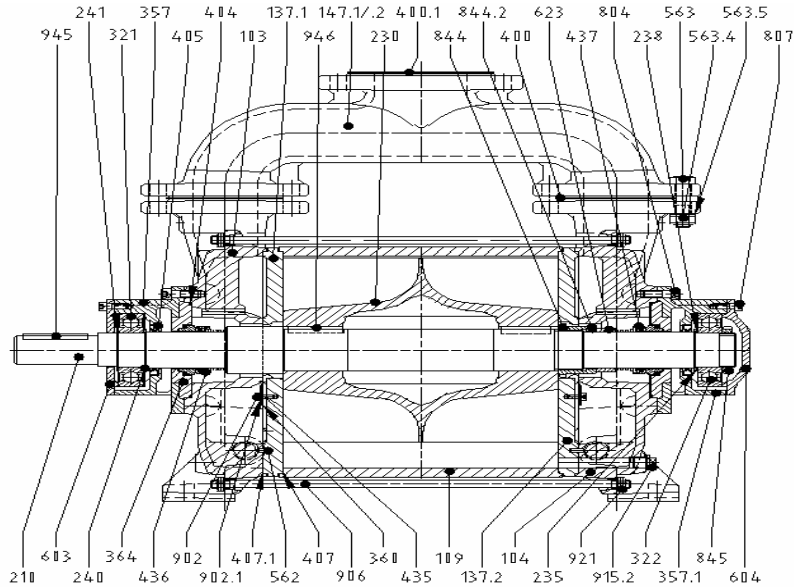
GRAHAM
ENGINEERING ANSWERS

2PV61335/**/DD

Date

Serial No.

Spare Parts List



| Item | Description | Quantity | **/10 | **/13 | **/20 |
|---------|--------------------------------|----------|-------------|-------------|-------------|
| | | | Part Number | Part Number | Part Number |
| 103 | Cover, drive end | 1 | | | |
| 104 | Cover, non-drive end | 1 | | | |
| 109 | Casing | 1 | | | |
| 137.1 | Port plate, drive end | 1 | | | |
| 137.2 | Port plate, non-drive end | 1 | | | |
| 147.1/2 | Manifold | 2 | | | |
| 210 | Shaft | 1 | | | |
| 230 | Impeller | 1 | | | |
| 235/240 | Bearing abutment | 2 | ● | ● | ● |
| 235 | Bearing abutment | 2 | ● | ● | ● |
| 235 | Bearing abutment | 2 | ● | ● | ● |
| 235 | Bearing abutment | 2 | ● | ● | ● |
| 241 | Circlip | 1 | ☆ | ☆ | ☆ |
| 321/322 | Bearing | 2 | | | |
| 357.1 | Bearing housing | 2 | | | |
| 360 | Valve plate | 2 | ● | ● | ● |
| 364 | Mechanical seal housing | 2 | | | |
| 400 | Gasket | 4 | ● | ● | ● |
| 400.1 | Gasket | 2 | ● | ● | ● |
| 404 | O-Ring | 2 | ● | ● | ● |
| 405 | Radial lip seal | 2 | ● | ● | ● |
| 407.1 | Liquid gasket | 1 | ● | ● | ● |
| 407.1 | Cover-plate gasket | 2 | | | ● |
| 407 | Plate-casing gasket | 2 | | | ● |
| 435 | Vari-port valve | 2 | ● | ● | ● |
| 436 | Mechanical seal, drive end | 1 | ● | ● | ● |
| 437 | Mechanical seal, non-drive enc | 1 | ● | ● | ● |
| 562 | Locating pin | 2 | ☆ | ☆ | ☆ |
| 563 | Screw | 16 | ☆ | ☆ | ☆ |
| 563.4 | Nut | 16 | ☆ | ☆ | ☆ |
| 603 | Bearing cover, drive end | 1 | | | |
| 604 | Bearing cover, non-drive end | 1 | | | |
| 623 | Mechanical seal spacer | 1 | ☆ | ☆ | ☆ |
| 804 | Screw | 8 | ☆ | ☆ | ☆ |
| 807 | Screw | 6 | ☆ | ☆ | ☆ |
| 844 | Impeller nut | 1 | ☆ | ☆ | ☆ |
| 844.2 | Screw | 3 | ☆ | ☆ | ☆ |
| 845 | Bearing nut | 1 | ● | ● | ● |
| 902 | Screw | 4 | | | |
| 906 | Rod | 6 | | | |
| 915.2 | Plug | 5 | ☆ | ☆ | ☆ |
| 921 | Nut | 12 | ☆ | ☆ | ☆ |
| 945 | Coupling key | 1 | ☆ | ☆ | ☆ |
| 946 | Impeller key | 2 | ☆ | ☆ | ☆ |
| 920 | Washer | 12 | ☆ | ☆ | ☆ |
| 563.5 | Washer | 16 | ☆ | ☆ | ☆ |
| 902.1 | Washer | 4 | ● | ● | ● |
| ● | Repair Kit | 1 | | | |
| ☆ | Kit of nuts and bolts | 1 | | | |

Minimum Order: Domestic \$100.00; Foreign \$300.00 All Prepaid & Add orders are subject to applicable handling charge

Credit Card Orders are Subject to 1.5% Discount

EX-WORKS BATAVIA, NY USA DOMESTIC PACKING

10 % Additional Charge for Export Packing

PRICES ARE SUBJECT TO CHANGE WITHOUT NOTICE

Subject to Graham Standard Conditions of Sale

Graham Corporation, Corporate and Sales Headquarters: 20 Florence Avenue, Batavia NY USA 14020

Phone: 585-343-2216 Fax: 585-343-1097 E-mail: equipment@graham-mfg.com Web site: www.graham-mfg.com